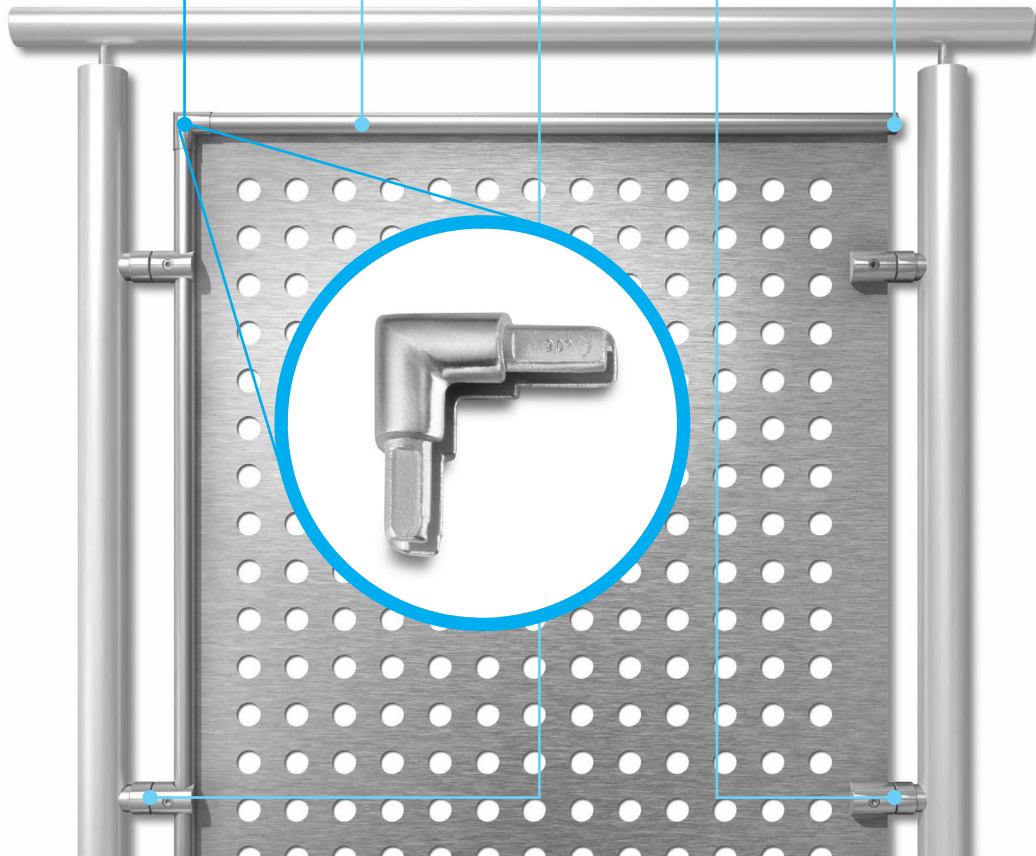




Corner connector LR 10

Figure drawn to scale 1:1

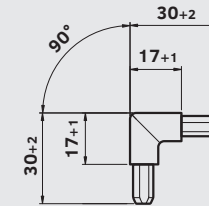
Corner connectors
Profile edgings
Profile brackets
Panel brackets
Profile end cap



Available materials



Stainless steel
cast alloy



Suitable for
profile edging LR 10



WITH A SINGLE CLICK
TO OUR ACCESSORIES!

Discover the appropriate range of accessories online in our shop. Simply enter "Accessories" in the online search.

