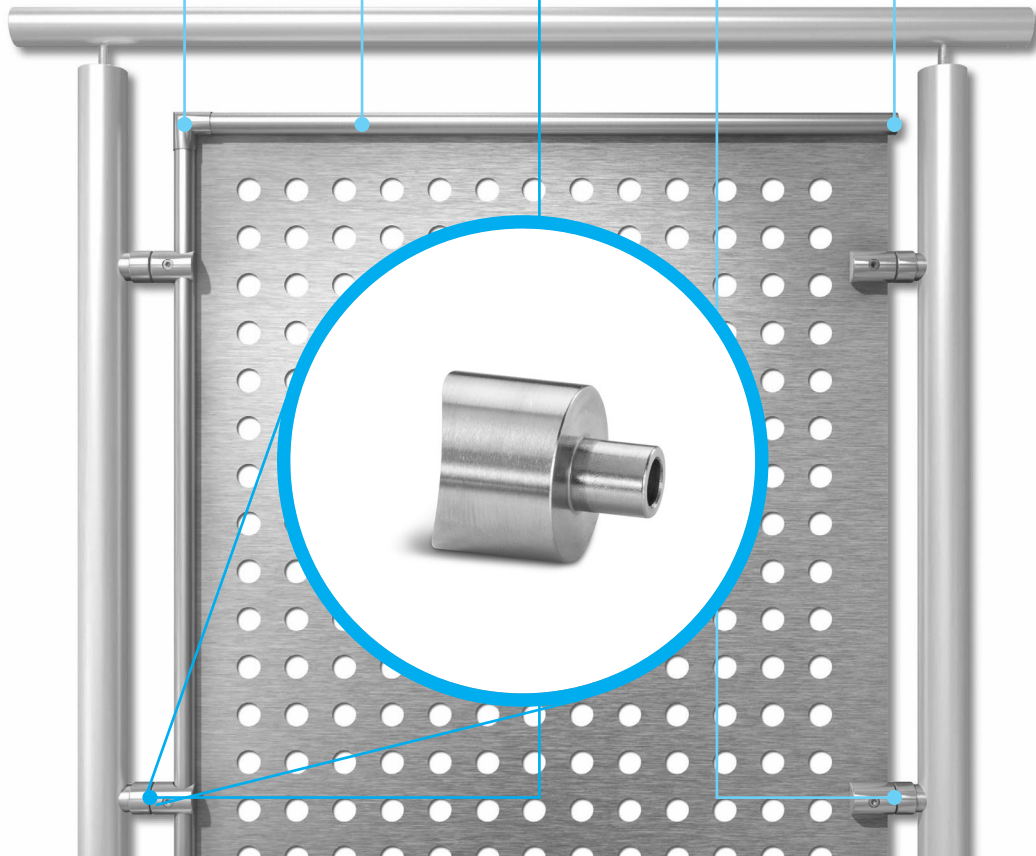


Corner connectors
Profile edgings
Profile brackets
Panel brackets
Profile end cap



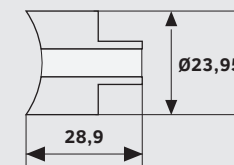
Post tube adapter



Available materials



Stainless steel



Suitable for
post tube Ø 42,4 mm

The panel can be optimally aligned between the posts and wall connection, in a tolerance range of approx. 4 mm, through the use of adapters.



WITH A SINGLE CLICK
TO OUR ACCESSORIES!

Discover the appropriate range of accessories online in our shop. Simply enter "Accessories" in the online search.