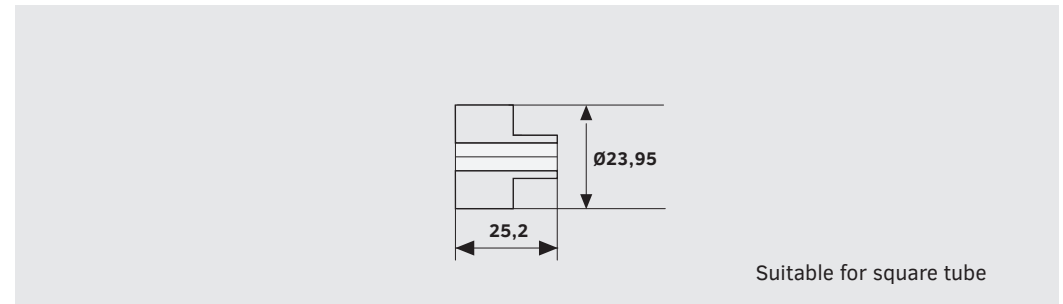
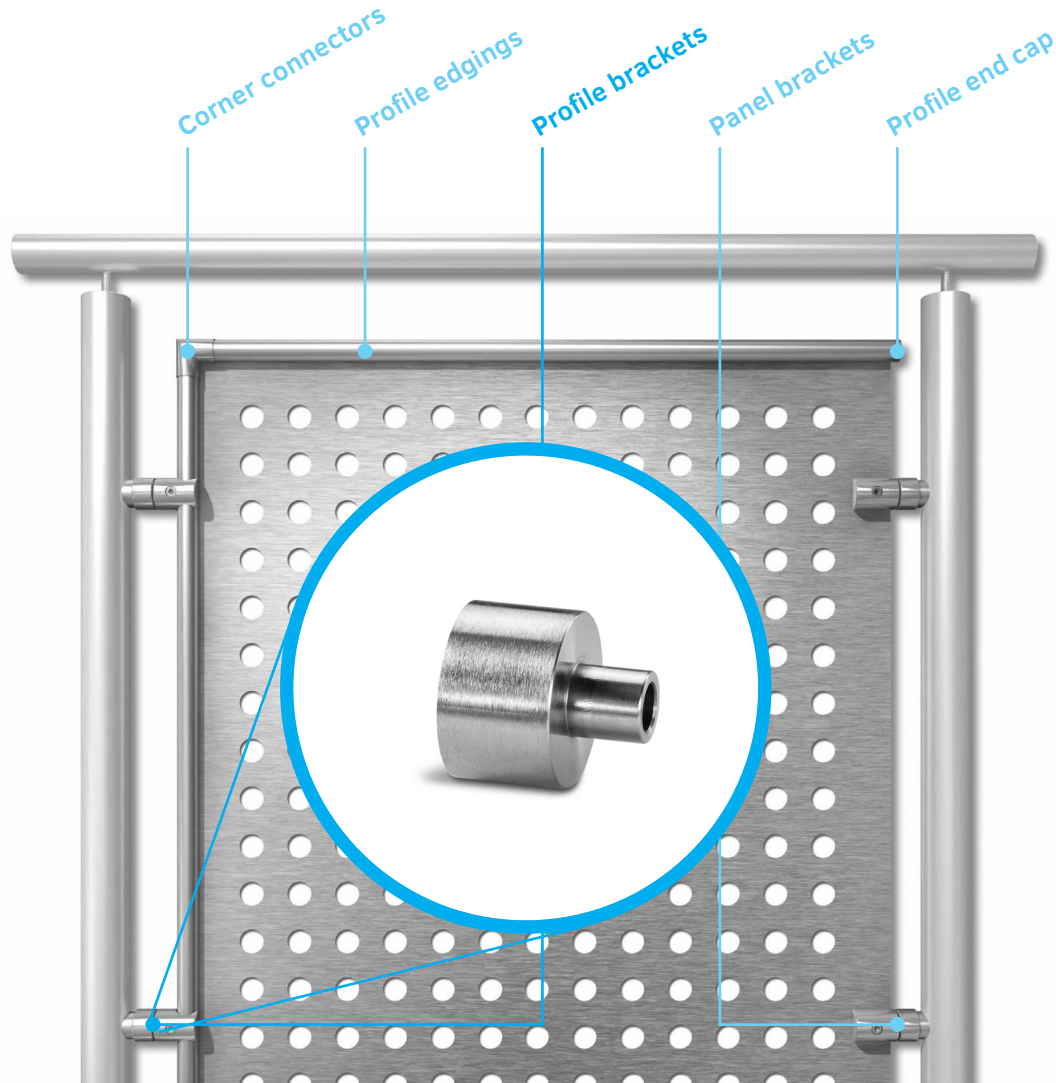




Available materials



Stainless steel



The panel can be optimally aligned between the posts and wall connection, in a tolerance range of approx. 4 mm, through the use of adapters.



WITH A SINGLE CLICK
TO OUR ACCESSORIES!

Discover the appropriate range of accessories online in our shop. Simply enter "Accessories" in the online search.