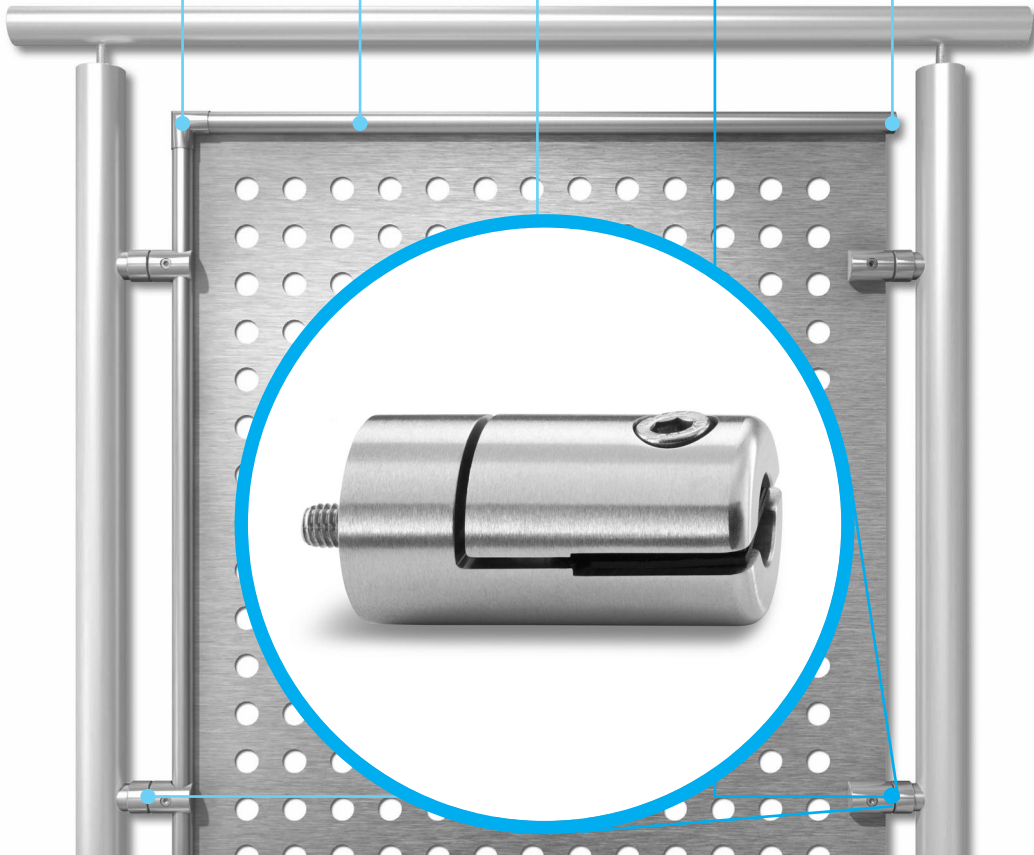




Panel bracket for Adapter

Figure drawn to scale 1:1

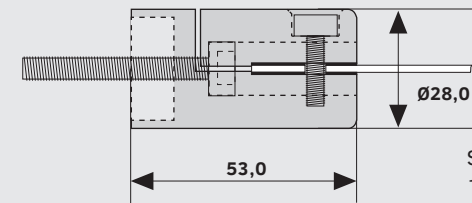
Corner connectors
Profile edgings
Profile brackets
Panel brackets
Profile end cap



Available materials



Stainless steel



Suitable for sheet thickness
1.5–2.0 mm and adapters

Attention: the illustrated profile and panel brackets can only be used with the shown adapters.



WITH A SINGLE CLICK
TO OUR ACCESSORIES!

Discover the appropriate range of accessories online in our shop. Simply enter "Accessories" in the online search.

