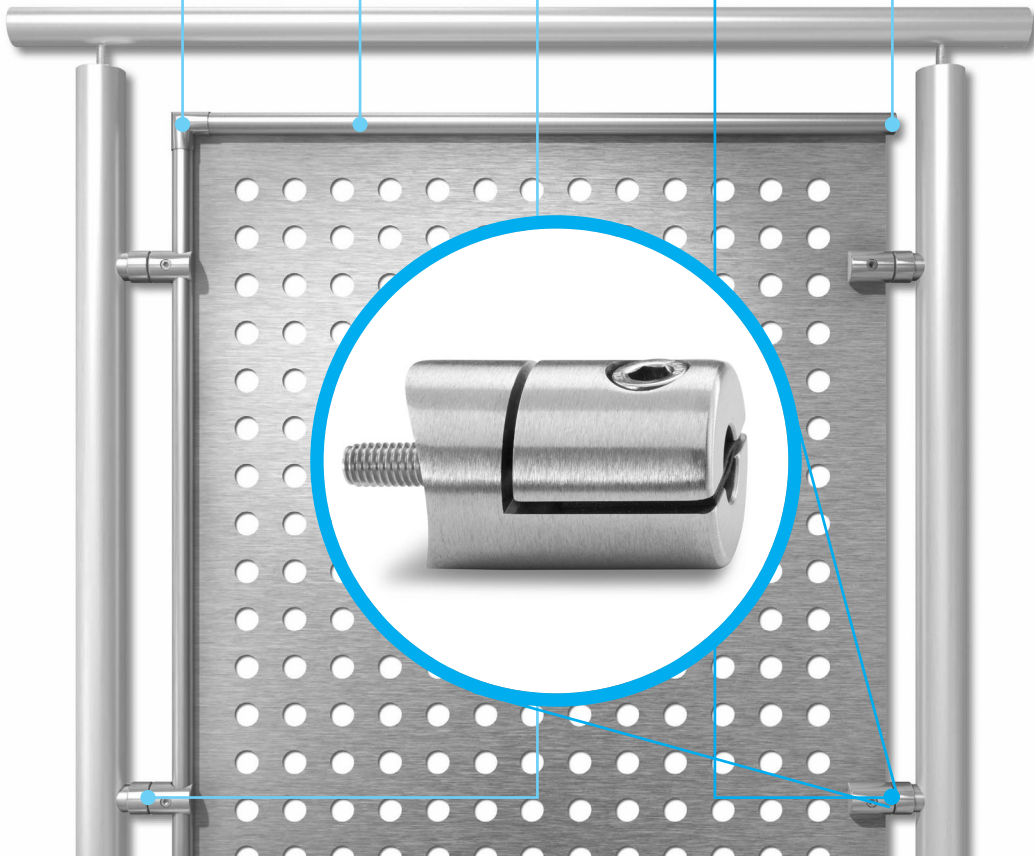


Corner connectors  
Profile edgings  
Profile brackets  
Panel brackets  
Profile end cap



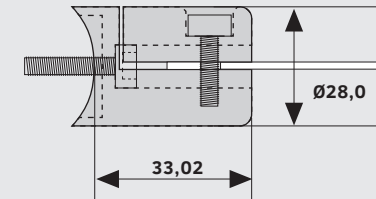
Panel bracket



## Available materials



Stainless steel



Suitable for  
sheet thickness 1.5–2.0 mm  
and post tube Ø 42,4 mm



WITH A SINGLE CLICK  
TO OUR ACCESSORIES!

Discover the appropriate range of accessories online in our shop. Simply enter "Accessories" in the online search.