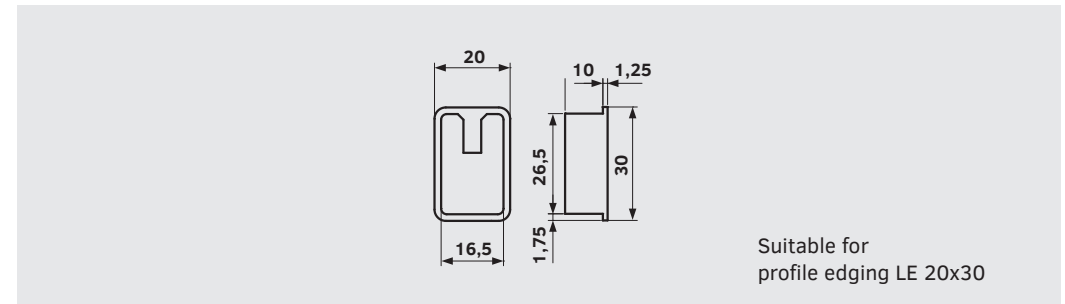




Available materials

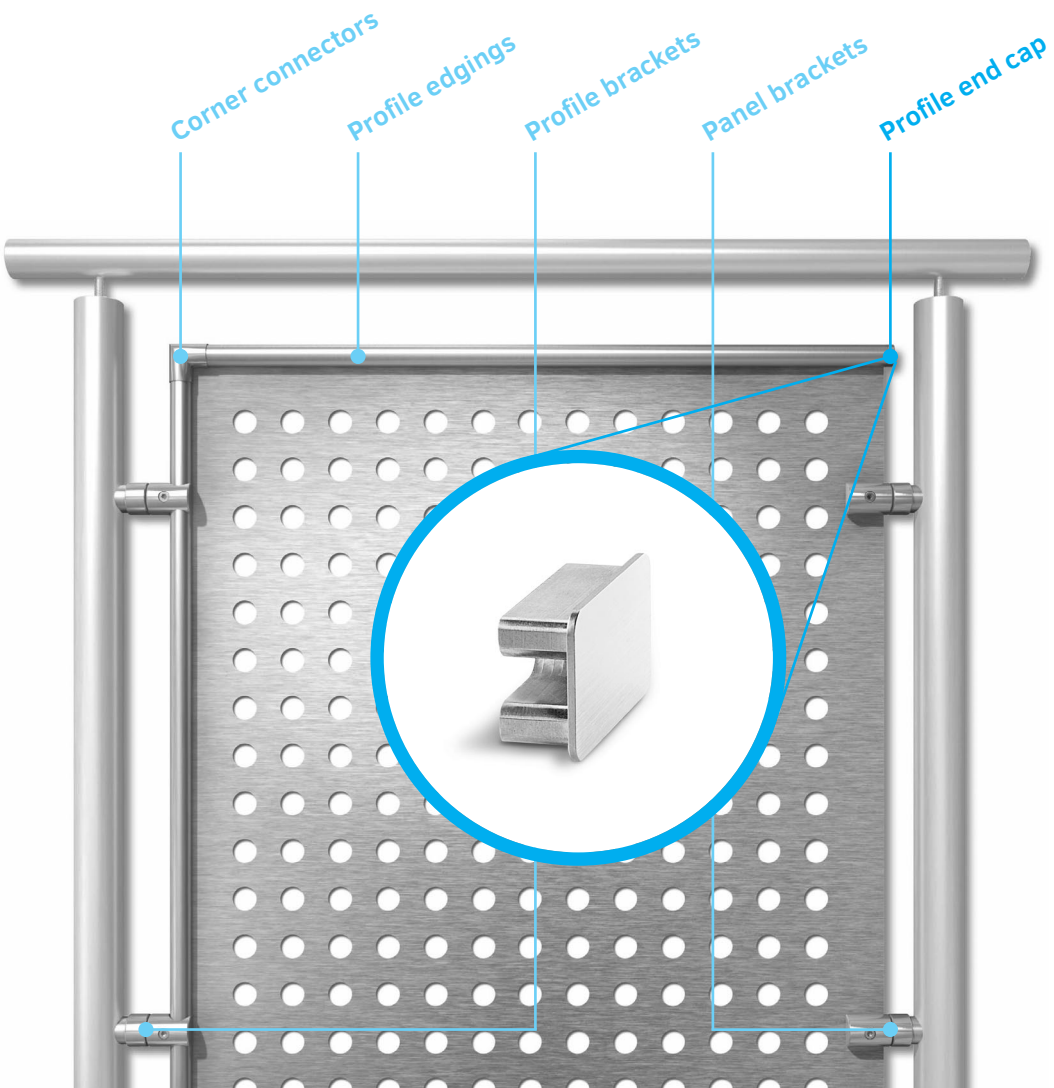


Stainless steel



Profile end cap LE 20x30

Figure drawn to scale 1:1



WITH A SINGLE CLICK
TO OUR ACCESSORIES!

Discover the appropriate range of accessories online in our shop. Simply enter "Accessories" in the online search.

