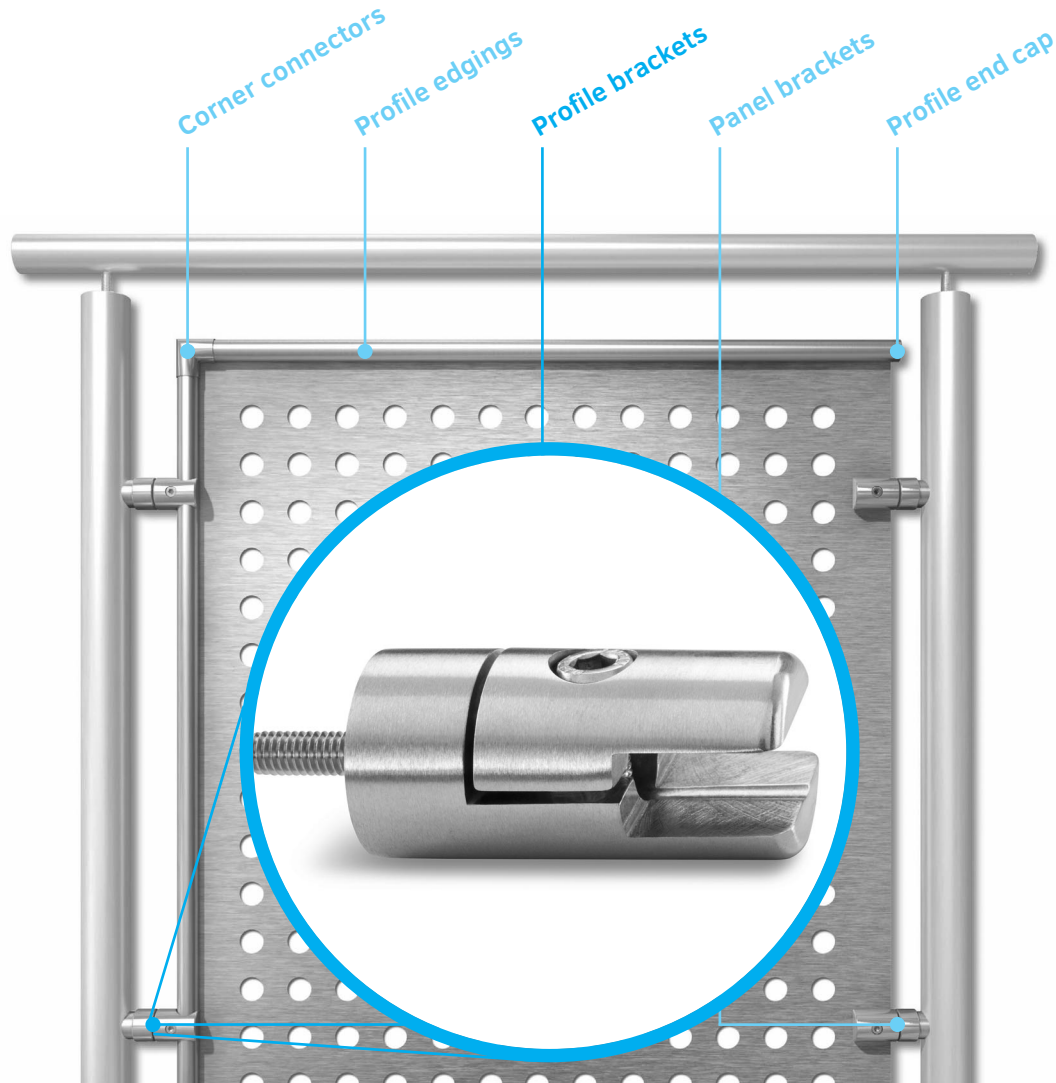




Profile bracket LE 12x18 for Adapter

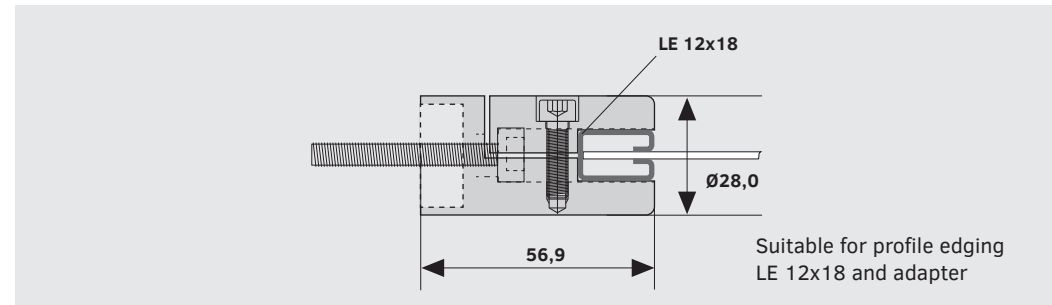
Figure drawn to scale 1:1



Available materials



Stainless steel



Attention: the illustrated profile and panel brackets can only be used with the shown adapters.



WITH A SINGLE CLICK
TO OUR ACCESSORIES!

Discover the appropriate range of accessories online in our shop. Simply enter "Accessories" in the online search.

