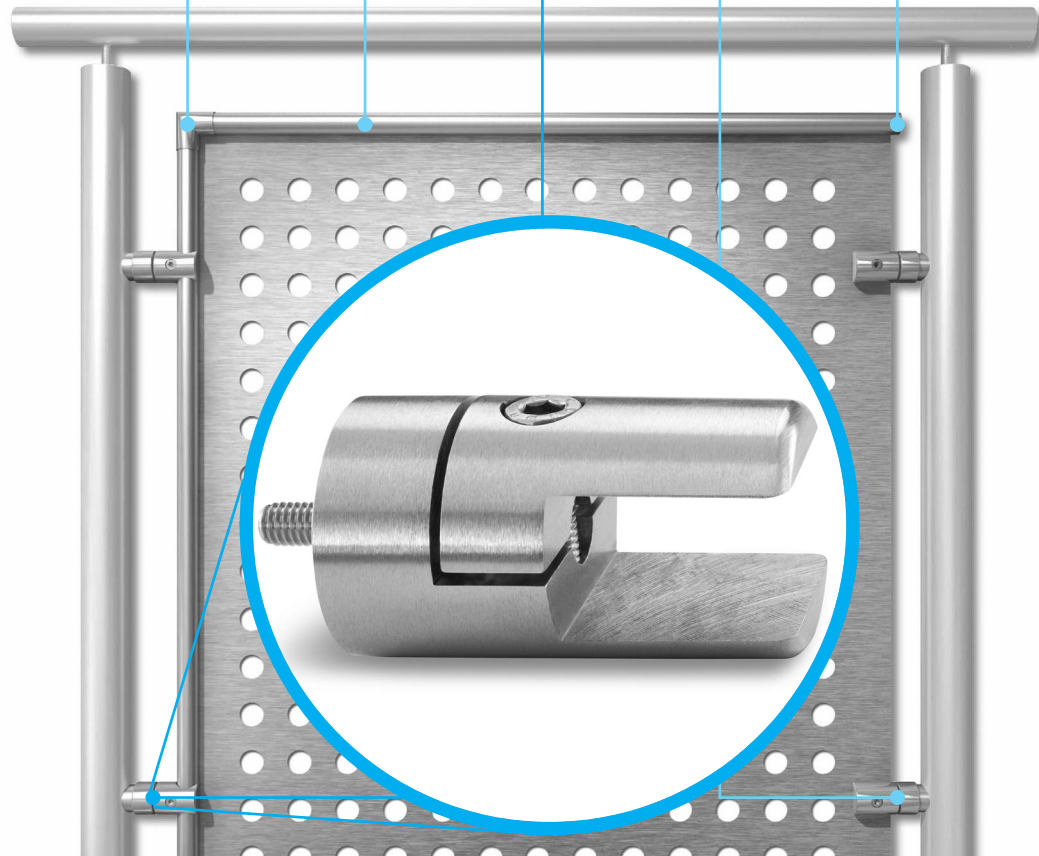


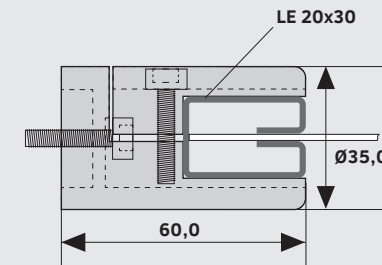
Corner connectors  
Profile edgings  
Profile brackets  
Panel brackets  
Profile end cap



## Available materials



Stainless steel



Suitable for  
profile edging LE 20x30  
and square tube or flat steel



WITH A SINGLE CLICK  
TO OUR ACCESSORIES!

Discover the appropriate range of accessories online in our shop. Simply enter "Accessories" in the online search.