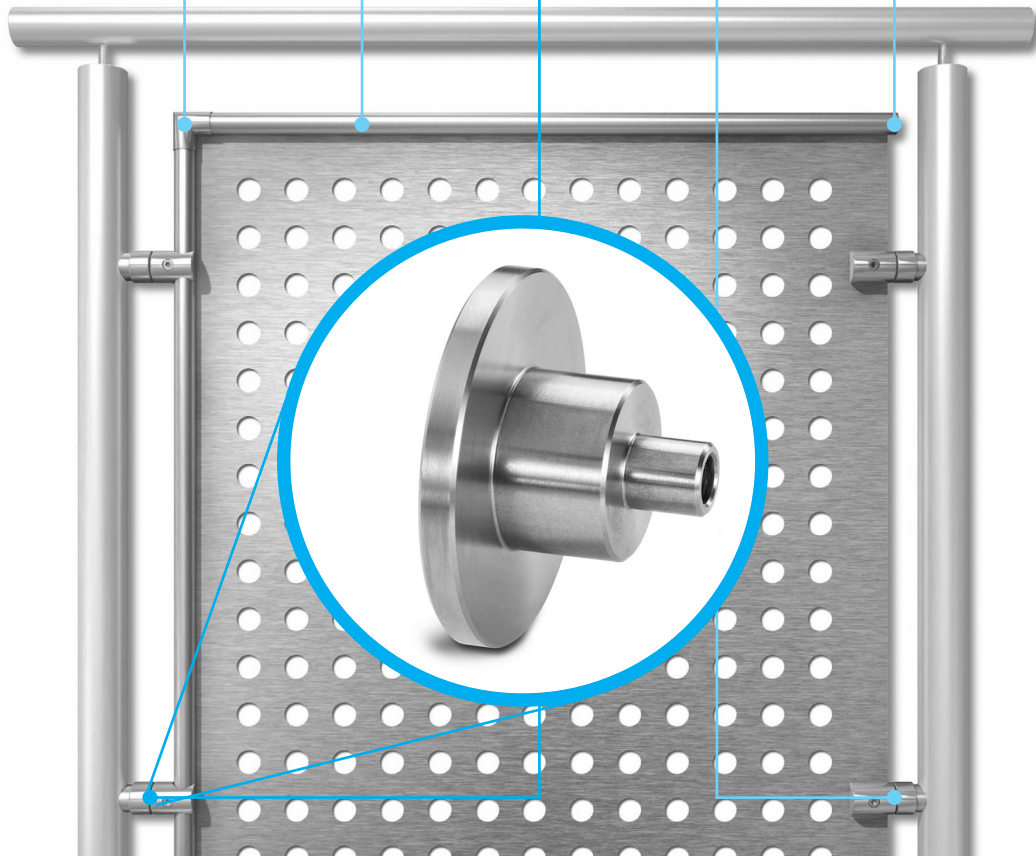


Corner connectors
Profile edgings
Profile brackets
Panel brackets
Profile end cap



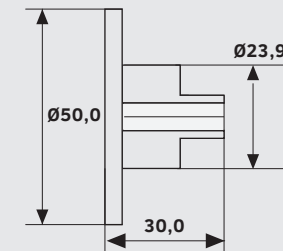
Wall adapter



Available materials



Stainless steel



Suitable for wall mounting

The panel can be optimally aligned between the posts and wall connection, in a tolerance range of approx. 4 mm, through the use of adapters.



WITH A SINGLE CLICK
TO OUR ACCESSORIES!

Discover the appropriate range of accessories online in our shop. Simply enter "Accessories" in the online search.